

Model : ABYG18LVTB / **NEW** ABYG24LVTA



Wireless R.C.



For ABYG18LVTB



For ABYG24LVTA



Features

Flexible installation

Example for floor installation

Floor console



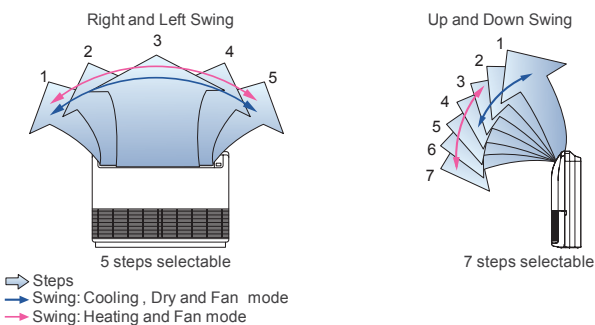
Example for ceiling installation

Under ceiling

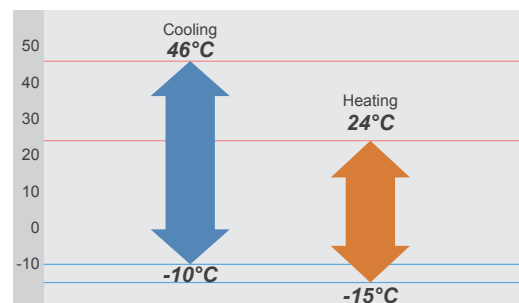


Double auto swing

A combination of right/left and up/down directional swing allows 3-dimensional air direction control



Low ambient operation



Easy installation

Main work settings can be done easily from the remote controller at installation

Main work settings

- High ceiling setting
- Auto restart
- Temperature adjustment when cooling / heating

Optional parts

- Wired Remote Controller: UTY-RNNYM, UTY-RVNYM
- Simple Remote Controller: UTY-RSNYM
- External Connect Kit: UTY-XWZX

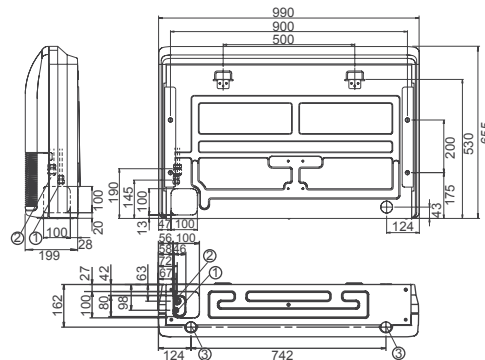


Specifications

Model No.	Indoor unit		ABYG18LVTB	ABYG24LVTA
	Outdoor unit		AOYG18LALL	AOYG24LALA
Power Source	V/∅/Hz		230/1/50	230/1/50
Capacity	Cooling	kW	5.2(0.9~5.9)	6.8(0.9~8.0)
	Heating		6.0(0.9~7.5)	8.0(0.9~9.1)
Input Power	Cooling/Heating kW		1.62/1.66	2.21/2.26
EER	Cooling	W/W	3.21	3.08
COP	Heating		3.61	3.54
Pdesign	Cooling/Heating kW		5.2/5.2	6.8/6.0
SEER	Cooling	W/W	6.10	5.60
SCOP	Heating		4.00	3.90
Energy Efficiency Class	Cooling		A++	A+
	Heating		A+	A
Running Current	Cooling/Heating A		7.2/7.4	9.7/9.9
Annual Energy Consumption	Cooling	kWh/a	298	425
	Heating		1819	2150
Moisture Removal	l/h		2.0	2.7
Sound Pressure (Cooling)	Indoor	H/M/L/Q	43/40/34/31	48/44/40/35
	Outdoor	High		
Sound Power (Cooling)	Indoor	High	50	52
	Outdoor	High	57	61
Airflow Rate (High)	Indoor / Outdoor m ³ /h		780/2000	980/2470
	mm		199x990x655	199x990x655
Net Dimension H x W x D	Indoor	kg(lbs)	27(60)	27(60)
		mm	578x790x300	578x790x315
	Outdoor	kg(lbs)	40(88)	44(97)
		mm	199x990x655	199x990x655
Piping Connections (Small / Large)	mm		6.35/12.70	6.35/15.88
Drain Hose Diameter (I.D./O.D.)	mm		25/32	25/32
Max Pipe Length (Pre-Charge)	m		25(15)	30(15)
Max Height Difference	m		15	20
Operation Range	Cooling	°CDB	-10~46	-10~46
	Heating		-15~24	-15~24
Refrigerant (Global Warming Potential)			R410A(1,975)	R410A(1,975)

Dimensions Models : AYG18LVTB / AYG24LVTA

(Unit : mm)



- ① Refrigerant piping flare connection (Liquid)
- ② Refrigerant piping flare connection (Gas)
- ③ Drain piping connection